



Sena™ EX4-FF

Quad Fixed + Fixed Monitor Arm



Model Number

- SENAEX4-FF-SLV
- SENAEX4-FF-BLK
- SENAEX4-FF-WHT

Available Mounting

DC - Desk clamp

Sena Monitor Arm Key

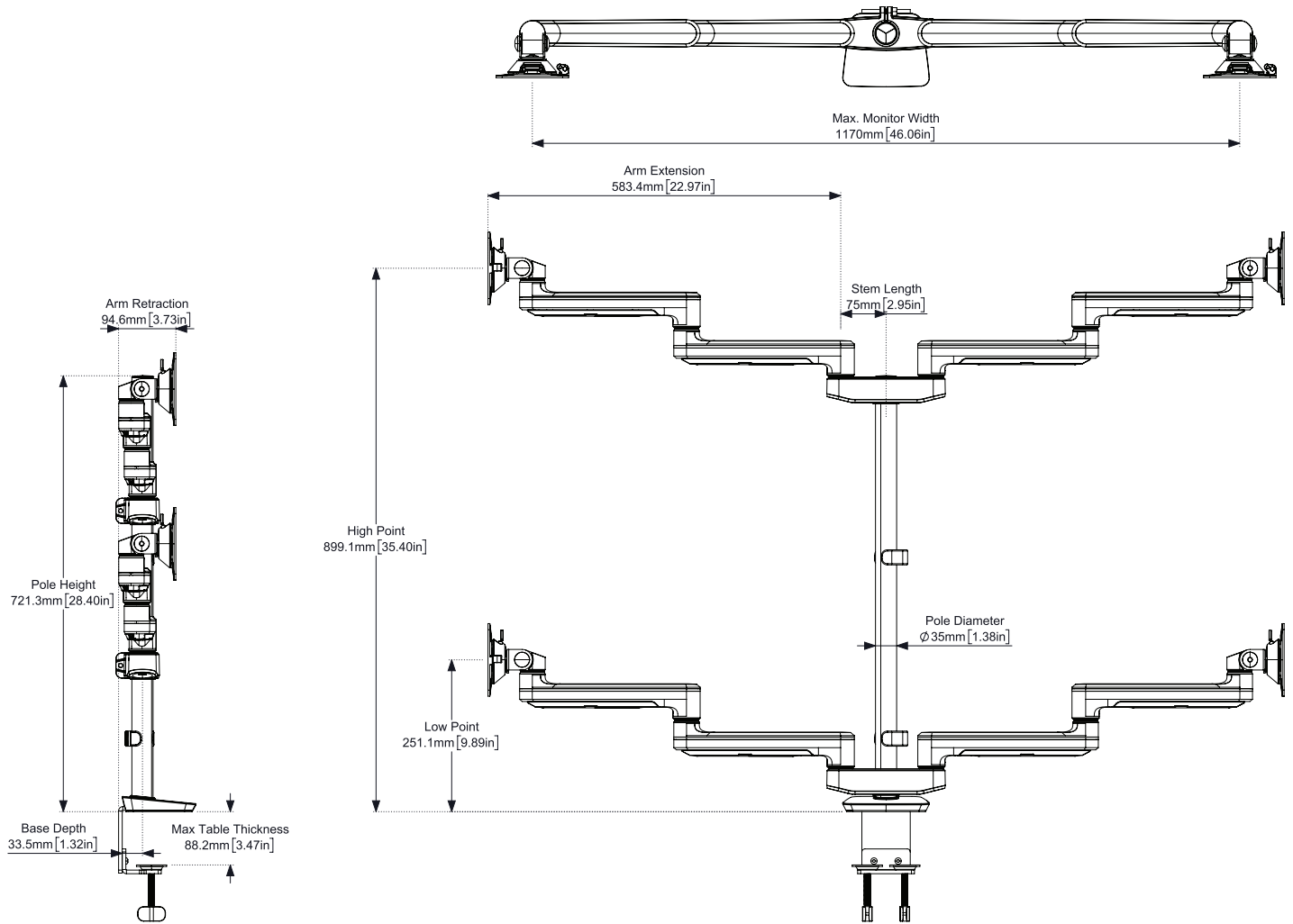
F - Fixed monitor arm

Product Specs

- Manual Height Adjustment
- Recommended for worksurfaces 36.0" deep or less
- 27.97" arm extension
- 2.89" arm retraction
- +75°/-35° monitor tilt
- ±90° VESA rotation
- Up to 19.8 lb. weight capacity (per arm)
- 28.40" pole height (includes base)
- VESA 75mm/100mm quick release
- 180° lock-out feature
- Desk clamp mount included
- 46.06" max monitor width
Bezel measured left to right.
Max width is contingent on weight capacity.
Note: monitor height/weight might limit size
- Meets or exceeds BIFMA X5.5 guidelines

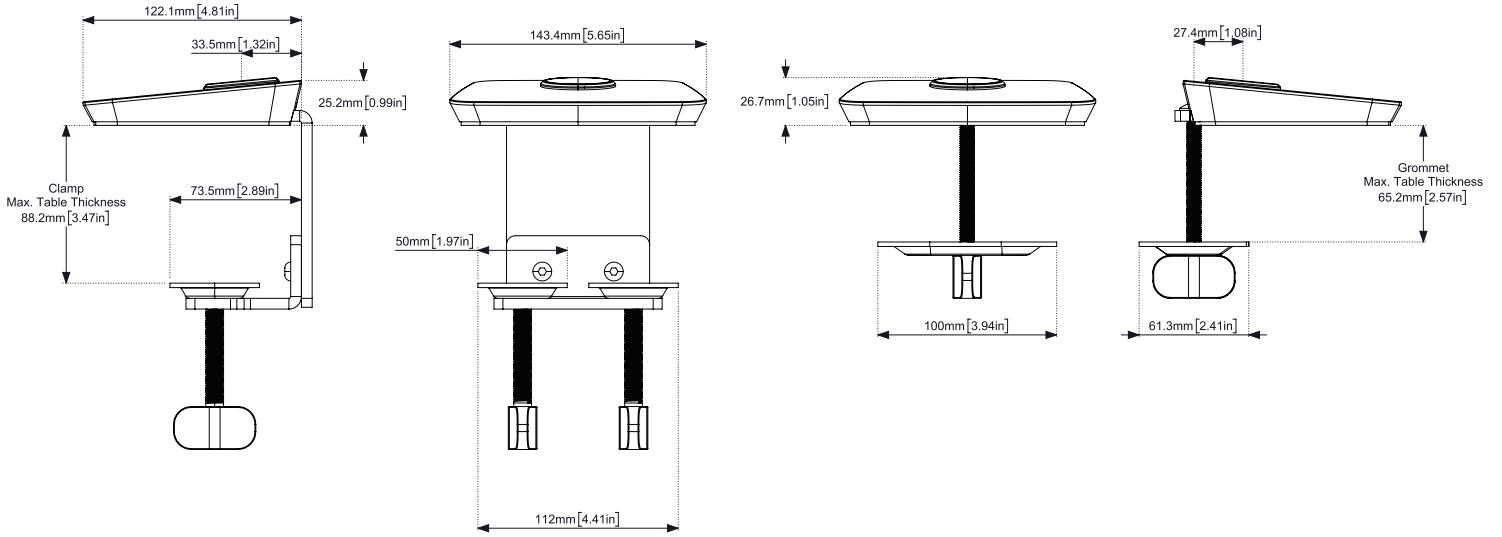
Sena™EX4-FF

Quadruple Monitor Arm



Sena™EX4-FF

Clamp & Grommet



Slider Mount

